

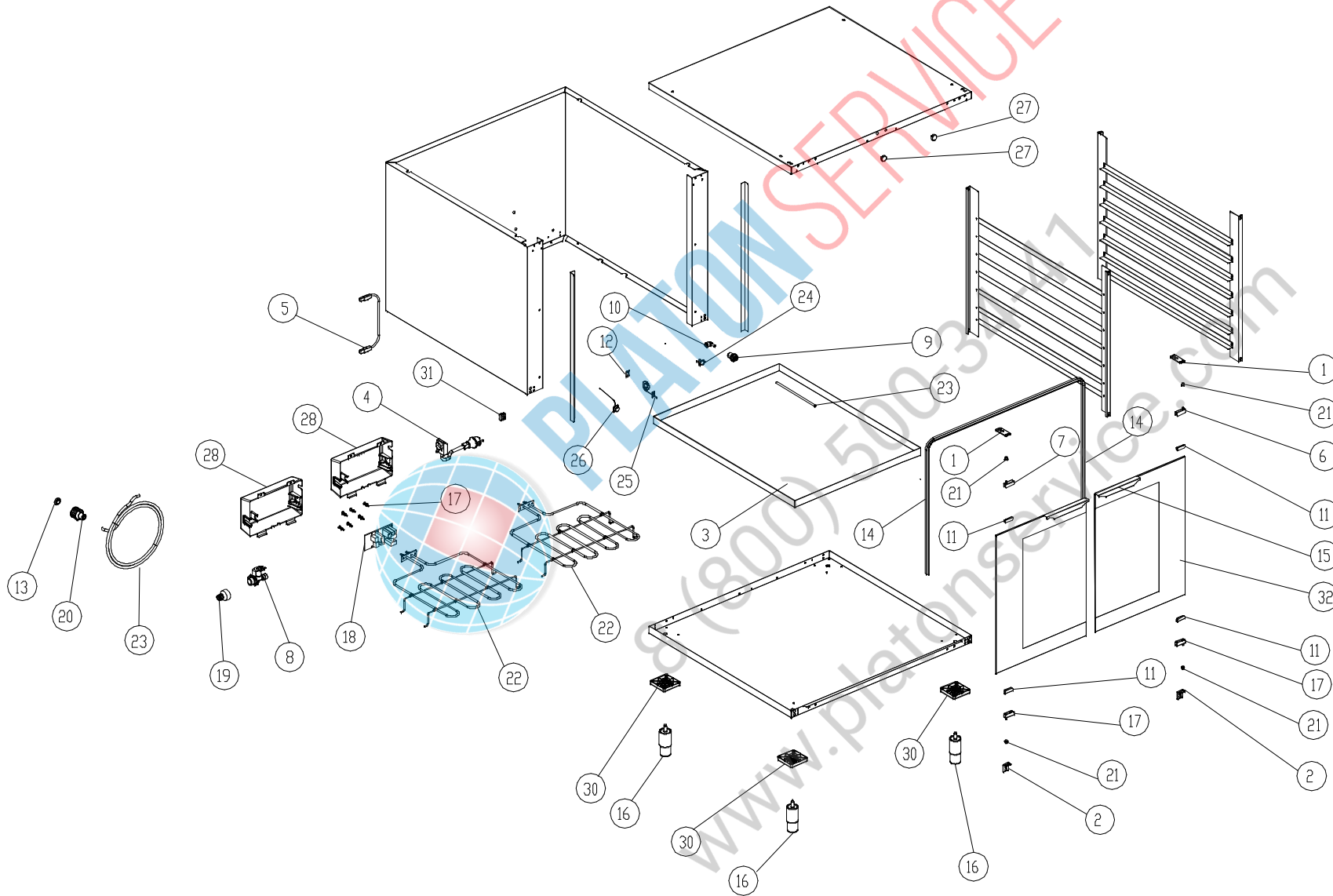
MOD: XL404

EXPLODED VIEW DISEGNO ESPLOSO



LEGEND - LEGENDA

| | |
|----|----------|
| 1 | OH2030A0 |
| 2 | OH2031A0 |
| 3 | OH3745A0 |
| 4 | CE116 |
| 5 | CE1305A0 |
| 6 | CR045 |
| 7 | CR046 |
| 8 | EL1090A0 |
| 9 | EL1125A0 |
| 10 | EL1195A0 |
| 11 | GN006A |
| 12 | GN1120A0 |
| 13 | GN1200A0 |
| 14 | GN1245A1 |
| 15 | MG1035A1 |
| 16 | PD1015A0 |
| 17 | PE1640A0 |
| 18 | PE1415B1 |
| 19 | RC1030A1 |
| 20 | RC1210A0 |
| 21 | RC492B |
| 22 | RS1095A0 |
| 23 | TB008 |
| 25 | TR1015A0 |
| 26 | TR1050A0 |
| 27 | VE1120B0 |
| 28 | VE1130A0 |
| 30 | VM1280A0 |
| 31 | VM250 |
| 32 | VTT165A0 |



MOD: XL404

EXPLODED VIEW DISEGNO ESPLOSO

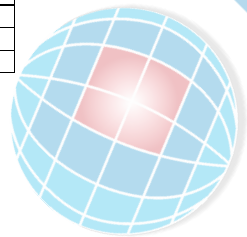


DESCRIZIONE CODICI

| | | |
|----|----------|---|
| 1 | OH2030A0 | STAFFA INOX SUPERIORE PORTA SERIE XL |
| 2 | OH2031A0 | STAFFA INOX INFERIORE PORTA SERIE XL |
| 3 | OH3745A0 | VASCA UMIDITA INOX XL404 |
| 4 | CE116 | CAVO 3x1,5 H07RN-F MT1,5+K1/3+SCHUKO |
| 5 | CE1305A0 | CAVO RJ45 - RJ45 L=2MT |
| 6 | CR045 | CERN.DX INOX XV-XL-XB |
| 7 | CR046 | CERN.SX INOX XV-XL-XB |
| 8 | EL1090A0 | ELETR. SINGOLA ATT. J.GUEST INCORPORATO CON RID.VERDE.T |
| 9 | EL1125A0 | PASSAPARETE Ø8 |
| 10 | EL1195A0 | RACCORDO A GOMITO CON J.GUEST CODOLO D8 - D8 |
| 11 | GN006A | GUARN.PORTA FREDDA A BAND. PTFE CAR/CARB Sp=1mm |
| 12 | GN1120A0 | GUARNIZIONE SONDA DI TEMPERATURA NTC |
| 13 | GN1200A0 | GUARNIZIONE D=24 RACCORDO 3/4 GOMMA+RETE |
| 14 | GN1245A1 | GUARNIZIONE PORTA NERA 8G XL404 |
| 15 | MG1035A1 | MANIGLIA INOX SERIE XL |
| 16 | PD1015A0 | PIEDINO REGOLABILE D=45 H=70-100 INOX |
| 17 | PE1640A0 | DISTANZIALE NYLON 5,8MM FASTPOINT |
| 18 | PE1415B1 | SCHEDA POTENZA MANTENITORE SERIE 1 |
| 19 | RC1030A1 | RACCORDO DIRITTO D=8 - 3/4 |
| 20 | RC1210A0 | RACCORDO 3/4 FEMM. - J.GUEST Ø8 CON FILTRO E VNR |
| 21 | RC492B | BOCCOLA PER CR045-46 12X6,5 DI=5,3 AISI304 |
| 22 | RS1095A0 | RESISTENZA PIANA 1200 W 230 V |
| 23 | TB008 | TUBO PE 7,93x4,75 TRASPARENTE |
| 25 | TR1015A0 | SONDA DI TEMP. NTC UL |
| 26 | TR1050A0 | SONDA UMIDITA' |
| 27 | VE1120B0 | MAGNETE NEODIMIO D22 10N FILETTATURA M6 |
| 28 | VE1130A0 | SCATOLA PORTA COMPONENTI LIEVITATORI |
| 30 | VM1280A0 | STAFFA PER RUOTA NYLON GRIGIO |
| 31 | VM250 | MORSETT. A PETTINE |
| 32 | VT1165A0 | VETRO ESTERNO SER. 429X582X5 CHIARO TFL XL404 |

DESCRIPTION

| | | |
|----|----------|---|
| 1 | OH2030A0 | STAINLESS STEEL UPPER BRACKET FOR DOOR SERIE XL |
| 2 | OH2031A0 | STAINLESS STEEL LOWER BRACKET FOR DOOR SERIE XL |
| 3 | OH3745A0 | |
| 4 | CE116 | EL CABLE 3x1.5 H07RN-F MT1.5+K1/3+SCHUKO |
| 5 | CE1305A0 | RJ45 - RJ45 CABLE L=2MT |
| 6 | CR045 | RIGHT STAINLESS STEEL HINGE XV-XL-XB |
| 7 | CR046 | LEFT STAINLESS STEEL HINGE XV-XL-XB |
| 8 | EL1090A0 | WATER SINGLE ELECTROV.W/RAPID CONNECTION J.GUEST AND |
| 9 | EL1125A0 | WALL PASSING SEAL Ø8 |
| 10 | EL1195A0 | ELBOW UNION WITH J.GUEST TERMINAL D8 - D8 |
| 11 | GN006A | COLD DOOR SEAL PTFE CAR/CARB Thickness=1mm |
| 12 | GN1120A0 | TEMPERATURE PROBE NTC SEAL |
| 13 | GN1200A0 | 3/4 CONNECTION SEAL D=24 RUBBER+NET |
| 14 | GN1245A1 | |
| 15 | MG1035A1 | STAINLESS STEEL HANDLE SERIE XL |
| 16 | PD1015A0 | STAINLESS STEEL ADJUSTABLE FOOT D=45 H=70-100 |
| 17 | PE1640A0 | NYLON SPACER 5,8mm |
| 18 | PE1415B1 | |
| 19 | RC1030A1 | 3/4 STRAIGHT CONNECTION D=8 |
| 20 | RC1210A0 | Ø8 J.GUEST 3/4 FEMALE CONNECTION WITH FILTER+NONRETUR |
| 21 | RC492B | |
| 22 | RS1095A0 | FLAT HEATING ELEMENT 1200 W 230 V |
| 23 | TB008 | TRANSPARENT TUBE PE 7,93x4,75 |
| 25 | TR1015A0 | TEMPERATURE PROBE NTC UL |
| 26 | TR1050A0 | HUMIDITY PROBE |
| 27 | VE1120B0 | NEODYMIUM MAGNET D22 10N THREAD M6 |
| 28 | VE1130A0 | BOX FOR COMPONENTS FOR PROVERS |
| 30 | VM1280A0 | GREY NYLON BRACKET FOR WHEELS |
| 31 | VM250 | "COMB" TERMINAL BOARD |
| 32 | VT1165A0 | |



PLATON SERVICE
8 (800) 100000
www.platonservice.com